



MARIS STELLA HIGH SCHOOL (PRIMARY)
PRIMARY 5 MATHEMATICS
TERM 3 WEIGHTED ASSESSMENT
18 August 2023

15 questions

30 marks

Total Time: 45 minutes

<p>NAME : _____ ()</p> <p>CLASS : PRIMARY 5 _____</p>
--

DO NOT OPEN THIS BOOKLET UNTIL YOU ARE TOLD TO DO SO.

FOLLOW ALL INSTRUCTIONS CAREFULLY.

YOU ARE **NOT ALLOWED** TO USE A CALCULATOR.

ANSWER ALL QUESTIONS.

<p><u>MARKS OBTAINED</u></p> <p>TOTAL: _____ / 30</p>	<p>Parent's Signature:</p> <p>_____</p> <p>Date:</p> <p>_____</p>
---	---

SECTION A: 8 marks

Questions 1 to 2 carry 1 mark each. Questions 3 to 5 carry 2 marks each.
For each question, four options are given. One of them is the correct answer.
Make your choice (1, 2, 3 or 4) and write the correct answer in the brackets provided.

1. In 9.876, which digit is in the hundredths place?

- (1) 9
- (2) 8
- (3) 7
- (4) 6

2. Which number is the smallest?

- (1) 0.51
- (2) 0.62
- (3) 0.501
- (4) 0.602

3. Mark recorded the weight of his 4 friends. Find the average weight of these 4 friends.

Name	Charles	Richard	Kate	Jessica
Weight (kg)	59	67	43	51

- (1) 44 kg
- (2) 55 kg
- (3) 126 kg
- (4) 220 kg

4. 300 students attended the Primary 5 level camp. 120 of them are girls. What percentage of the students are boys?
- (1) 40%
 - (2) 60%
 - (3) 120%
 - (4) 180%
5. Maria deposited \$20 000 in a fixed deposit account with Orion Bank. The bank paid 3% interest at the end of the year. How much did Maria have in her bank account after 1 year?
- (1) \$20 006
 - (2) \$20 060
 - (3) \$20 600
 - (4) \$26 000

SECTION B: 12 marks

Questions 6 to 7 carry 1 mark each. Questions 8 to 12 carry 2 marks each. Show your working clearly in the space provided for each question and write your answers in the blanks provided. For questions which require units, give your answers in the units stated.

6. Express 0.807 as a percentage.

Answer: _____% [1]

Do not write in this space.

7. Find the value of $65 \div 200$

Answer: _____ [1]

8. A string of length 5.4 m was cut into 3 pieces. The first piece was 3 times as long as the second piece. The second piece was twice as long as the third piece. How long was the second piece? Express your answer in metres.

Answer: _____m [2]

9. 12 macaroons costs \$59.80. How much will 36 such macaroons cost?

Do not
write in
this
space.

Answer: \$ _____ [2]

10. The table shows the results obtained by Jenny during her examination. Part of the table is covered by an inkblot.

Subject	Score
English	75
Mathematics	89
Chinese	6
Science	

The average score for the 4 subjects is 72. What is the largest possible score Jenny obtained for Science?

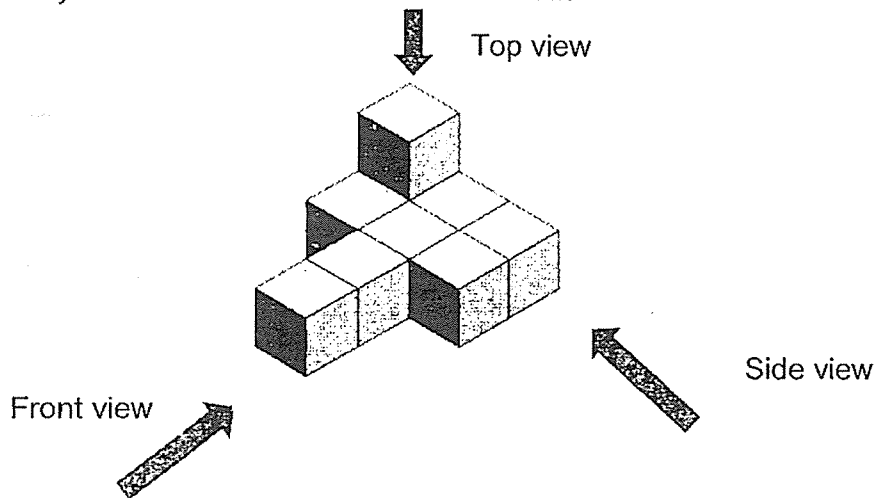
Answer: _____ [2]

11. Clarence and Declan had \$4500 together. After Clarence spent 40% of his money and Declan spent 25% of his money, they each had an equal amount of money left. How much money did Declan had at first?

Do not write in this space.

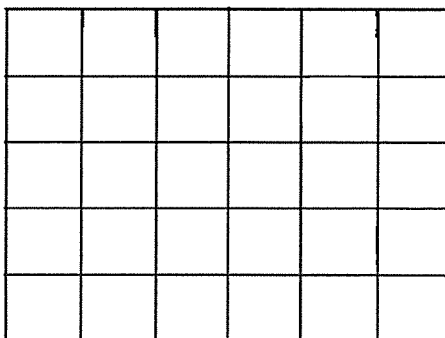
Answer: \$ _____ [2]

12. Larry stacked 9 cubes to form the solid below.

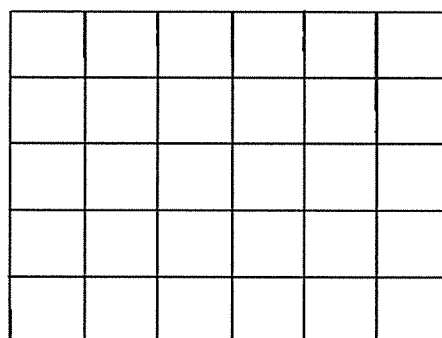


Draw the front view and the top view of the solid on the grids below:

Front View



Top View



[2]

SECTION C: 10 marks

Questions 13 to 14 carry 3 marks each. Question 15 carries 4 marks.

Show your working clearly in the space provided for each question and write your answers in the blanks provided.

13. Mr Lim spent \$54 on chicken, eggs and fish. The cost of chicken was 35% of the total cost of all items. The cost of fish was 40% of the total cost of all items. How much more money did Mr Lim spend on fish than on eggs?

Do not write in this space.

Answer: _____ [3]

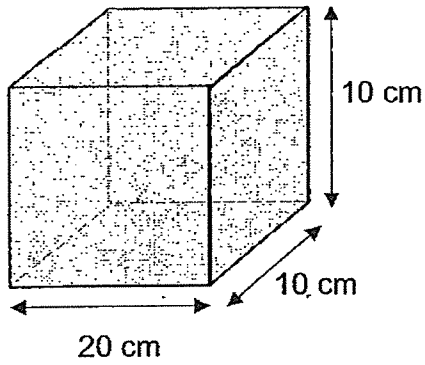
14. Winnie paid \$24.50 for 3 large bottles and 5 small bottles. With the remaining money, she could not buy another large bottle as she was short of \$0.90. She then bought another small bottle and had \$1.40 left. How much money did Winnie have at first?

Do not
write in
this
space.

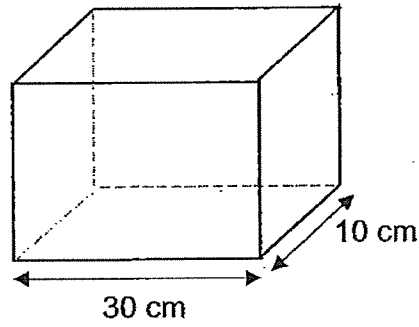
Answer: _____ [3]

15. Tank A is completely filled with water. The water from Tank A is then poured into Tank B such that the heights of water in both tanks are the same. Find the volume of water poured out of Tank A.

Do not
write
in
this
space.



Tank A



Tank B

Answer: _____ [4]

End of Paper
Please check your work carefully

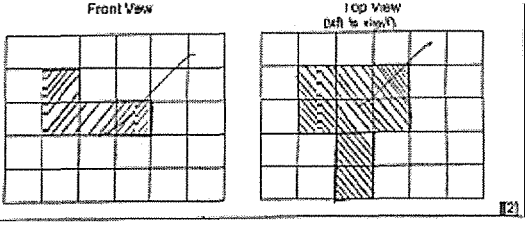
SCHOOL : MARIS STELLA PRIMARY SCHOOL

LEVEL : PRIMARY 5

SUBJECT : MATH

TERM : TERM 3 (2023)

Q 1	Q2	Q3	Q4	Q5
3	3	2	2	3

6)	80.7%
7)	0.325
8)	1.2m
9)	\$179.40
10)	64
11)	\$2000
12)	
13)	\$8.10
14)	\$28.10
15)	1200cm ³