

ROSYTH SCHOOL
2023 WEIGHTED ASSESSMENT (TERM TWO)
PRIMARY 5 MATHEMATICS
PAPER 1

Name: _____

Register No. _____

Class: Pr 5 _____

Date: 12 May 2023

Parent's Signature: _____

Total time for Booklet A and B: 25 minutes

Booklet A

Instructions to Pupils:

1. Do not turn over this page until you are told to do so.
2. Follow all instructions carefully.
3. Answer all questions.
4. Use a dark blue or black ballpoint pen to write your answers in the bracket provided for each question.
5. Do not use correction fluid/tape or highlighters.
6. The use of a calculator is not allowed.

Section	Maximum Mark	Marks Obtained
Paper 1 (Booklet A)	5	

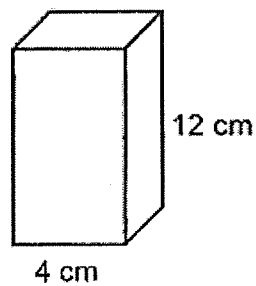
* This paper consists of 4 printed pages altogether (including the cover page).

This paper is not to be reproduced in part or whole without the permission of the Principal.

Questions 1 to 5 carry 1 mark each. For each question, four options are given. One of them is the correct answer. Make your choice (1, 2, 3 or 4) and write your answer in the brackets provided. *All diagrams in this paper are not drawn to scale unless stated otherwise.*

(5 marks)

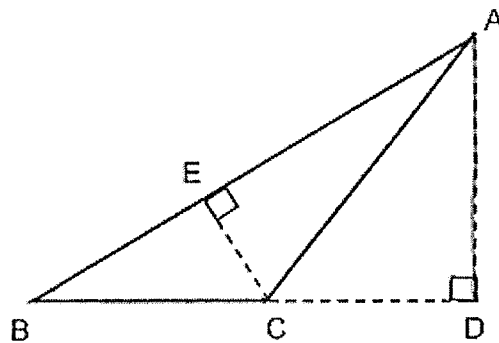
1. A solid cuboid of height 12 cm has a square base of side 4 cm. What is its volume?



- (1) 16 cm³
- (2) 48 cm³
- (3) 96 cm³
- (4) 192 cm³

()

2. Given that the base of triangle ABC is BC, what is the corresponding height?



- (1) AD
- (2) AC
- (3) BC
- (4) CE

()

3. Find the value of $\frac{5}{8} \times \frac{7}{10}$ in its simplest form.

(1) $\frac{2}{3}$

(2) $\frac{7}{16}$

(3) $\frac{25}{28}$

(4) $1\frac{13}{40}$

()

4. Charles has 30 marbles and David has 25 marbles. Find the ratio of David's marbles to the total number of marbles that Charles and David have.

(1) 5 : 6

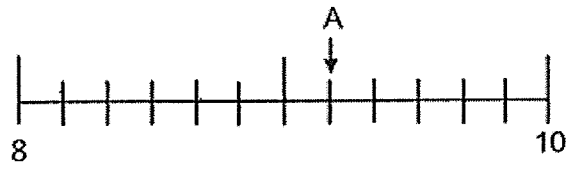
(2) 6 : 5

(3) 5 : 11

(4) 11 : 5

()

5. In the number line, what is the value represented by A?



(1) $8\frac{7}{10}$

(2) $8\frac{7}{12}$

(3) $9\frac{1}{5}$

(4) $9\frac{1}{6}$

()



ROSYTH SCHOOL
2023 WEIGHTED ASSESSMENT (TERM TWO)
PRIMARY 5 MATHEMATICS
PAPER 1

Name: _____

Register No. _____

Class: Pr 5 _____

Date: 12 May 2023

Parent's Signature: _____

Total time for Booklet A and B: 25 minutes

Booklet B

Instructions to Pupils:

1. Do not turn over this page until you are told to do so.
2. Follow all instructions carefully.
3. Answer all questions.
4. Use a dark blue or black ballpoint pen to write your answers in the space provided for each question.
5. Do not use correction fluid/tape or highlighters.
6. The use of a calculator is **not** allowed.

Section	Maximum Mark	Marks Obtained
Paper 1 (Booklet B)	15	

* This booklet consists of 6 pages (including this cover page).

This paper is not to be reproduced in part or whole without the permission of the Principal.

Questions 6 to 8 carry 1 mark each. Questions 9 to 14 carry 2 marks each. Write your answers in the spaces provided. For questions which require units, give your answers in the units stated.

(15 marks)

Do not write in this space.

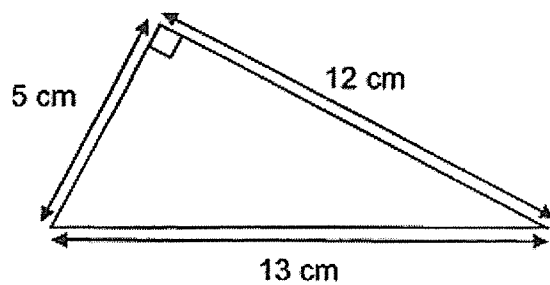
6. Find the value of $20 - 3 \times 4 + 6 \div 2$.

Ans: _____

7. The ratio of Clara's money to Devi's money is 3 : 8. Clara has \$21. How much money does Devi have?

Ans: \$ _____

8. Find the area of the triangle shown below.



Ans: _____ cm²

9. Express $\frac{15}{4}$ as a decimal.

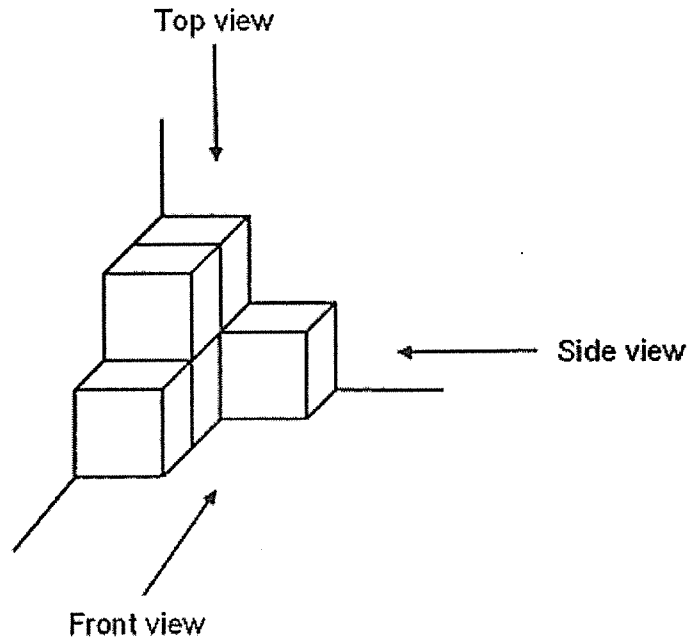
Do not
write in
this space.

Ans: _____

10. The ratio of the number of stickers Edward has to the number of stickers Ahmad has is 1 : 4. The number of stickers Ahmad has is 160. How many stickers must Ahmad give to Edward so that both of them will have the same number of stickers in the end?

Ans: _____

11. The figure below shows 6 unit cubes stacked to form a solid.

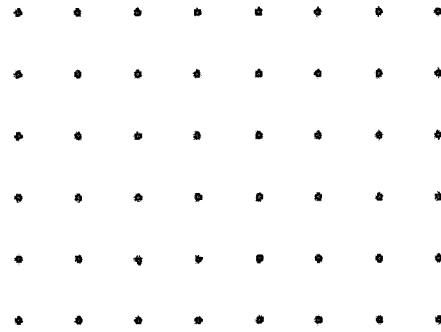
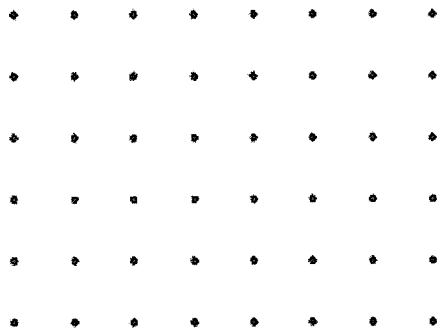


Do not write in this space.

Draw the side view and the top view of the solid on the grids given.

Side view

Top view



12. Mandy had 8 kg of sugar. She used $\frac{3}{4}$ of it to bake cookies and gave $\frac{5}{6}$ kg of sugar to her mother. How much sugar did she have left?

Leave your answer in kilograms.

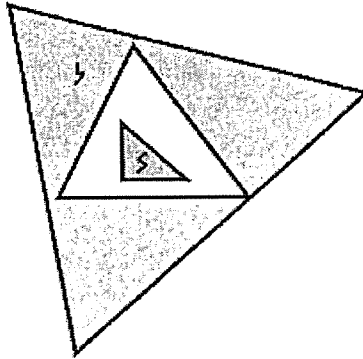
Do not write in this space.

Ans: _____ kg

13. The cost of a present was to be shared equally among 8 friends. However, 3 of the friends decided not to pay for the present. As a result, the remaining friends each had to pay \$126 more for the present. How much did each of the 8 friends have to pay at first?

Ans: \$ _____

14. Raju drew three triangles to form a figure as shown below. The areas of the triangles were in the ratio $1 : 4 : 15$. He then shaded some parts of the figure as shown. The unshaded area of the figure is 33 cm^2 . Find the total shaded area of the figure.



Do not write in this space.

Ans: _____ cm^2



End of Paper 1



ROSYTH SCHOOL
2023 WEIGHTED ASSESSMENT (TERM TWO)
PRIMARY 5 MATHEMATICS
PAPER 2

Name: _____

Register No. _____

Class: Pr 5 _____

Date: 12 May 2023

Parent's Signature: _____

Time: 30 minutes

Instructions to Pupils:

1. Do not turn over this page until you are told to do so.
2. Follow all instructions carefully.
3. Answer all questions.
4. Use a dark blue or black ballpoint pen to write your answers in the space provided for each question.
5. Do not use correction fluid/tape or highlighters.
6. The use of a calculator is allowed.

Questions	Maximum Mark	Marks Obtained
Q 1 – 5	5	
Q 6 – 14	15	
Q15 - 19	16	
Total	36	

* This booklet consists of 6 pages (including this cover page).

This paper is not to be reproduced in part or whole without the permission of the Principal.

For questions 15 to 19, show your working clearly and write your answers in the spaces provided. The number of marks available is shown in the brackets [] at the end of each question.

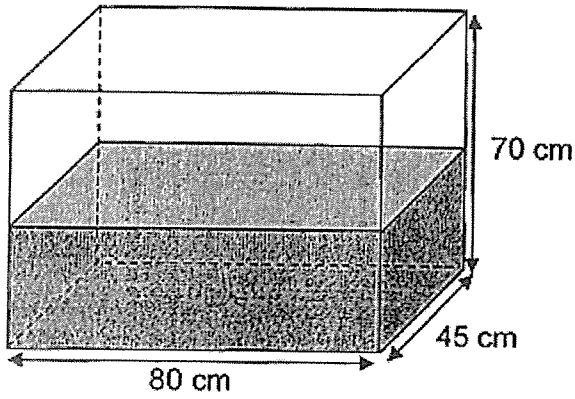
Do not write in this space

15. Sandra was given some money to buy some books. If she bought 13 books, she would need \$9 more. If she bought 9 books, she would be left with \$15. How much did each book cost?

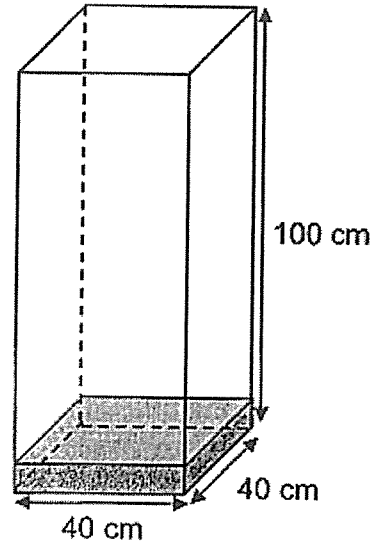
Ans: \$ _____ [2]

16. Tank X, measuring 80 cm by 45 cm by 70 cm is half-filled with water. Tank Y, measuring 40 cm by 40 cm by 100 cm, is filled with 12 l of water. Mr Leo pours all the water in Tank X into Tank Y without spilling. How much more water is needed to fill Tank Y to its brim?

Do not write in this space



Tank X



Tank Y

Ans: _____ [3]



17. Randy spent \$189 on a table and $\frac{4}{9}$ of his remaining money on a chair. He had $\frac{1}{6}$ of his original sum of money left. How much money did he have at first?

Do not
write in
this
space

Ans: _____ [3]

18. Mrs Ho baked some cookies. She sold $\frac{1}{5}$ of her cookies and an additional 8 cookies on Monday. She sold $\frac{2}{3}$ of the remaining cookies and an additional 5 cookies on Tuesday. She gave the rest of her 31 cookies to Mrs Lim. How many cookies did Mrs Ho bake at first?

Do not
write in
this
space

Ans: _____ [4]

19. Betty sold brownies at \$3 each . For every 5 brownies purchased , she gave 2 free brownies to her customers . On Friday, she sold and gave away a total of 240 brownies?

Do not write in this space

(a) What was the largest possible number of brownies given free on Friday?

Ans: (a) _____ [2]

(b) What was the least possible amount of money she collected from the 240 brownies she sold and gave away of Friday ?

Ans: (b) _____ [2]

End of Paper 2

SCHOOL : ROSYTH PRIMARY SCHOOL

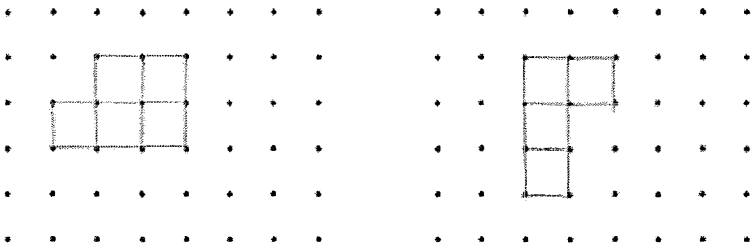
LEVEL : PRIMARY 5

SUBJECT : MATH

TERM : TERM 2 (2023)

BOOKLET A

Q 1	Q2	Q3	Q4	Q5
4	1	2	3	4

6)	11
7)	56
8)	30cm ²
9)	3.75
10)	60
11)	<p style="text-align: center;"><u>Side view</u> <u>Top view</u></p> 
12)	$1\frac{1}{6}$
13)	\$210
14)	132cm ²
15)	\$6
16)	22000cm ³

17)	\$270
18)	145
19)	a)68 b)\$516