



CATHOLIC HIGH SCHOOL
END-OF-YEAR EXAMINATION (2019)
PRIMARY FIVE
MATHEMATICS
PAPER 1
(BOOKLET B)

Name : _____ ()

Class : Primary 5 _____

Date : 25 Oct 2019

Total Time for Booklets A and B: 1 hour

15 questions

25 marks

| | |
|-----------|--|
| Booklet A | |
| Booklet B | |
| Total | |

INSTRUCTIONS TO CANDIDATES

Do not turn over this page until you are told to do so.

Follow all instructions carefully.

Answer all questions.

Write your answers in this booklet.

The use of calculators is **NOT** allowed.

Booklet A and B consist of 14 printed pages excluding the cover page.

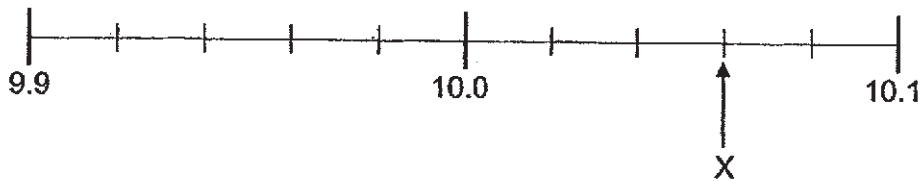
Questions 16 to 20 carry 1 mark each. Write your answers in the spaces provided. For questions which require units, give your answers in the units stated. All diagrams are not drawn to scale. (5 marks)

Do not write
in this space

16. Find the value of $35 - 14 + 3 \times 6$

Ans: _____

17. The number line is marked at equal intervals. What is the value of the reading at X?



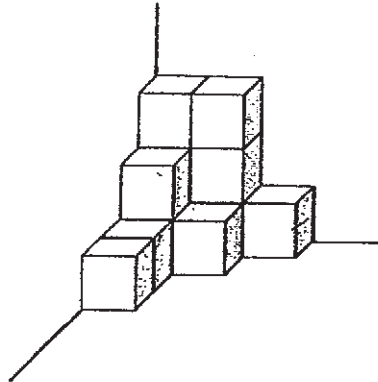
Ans: _____

18. Express 15% as a fraction in the simplest form.

Ans: _____

19. The solid shown below is made up of 1-cm cubes. What is the volume of the solid?

Do not write in this space

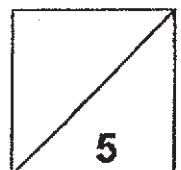


Ans: _____ cm³

20. Jerry bought 3 m of ribbon. He gave $\frac{2}{9}$ m of ribbon to his friend. What was the length of the ribbon he had left?

Ans: _____ m

Total marks for questions 16 to 20



Questions 21 to 30 carry 2 marks each. Show your working clearly and write your answers in the spaces provided. For questions which require units, give your answers in the units stated. All diagrams are not drawn to scale.

Do not write
in this space

(20 marks)

21. George had $\frac{2}{9}$ kg of flour. He used $\frac{1}{3}$ of it to bake a cake.
How much flour did he have left?

Ans: _____ kg

22. A bag contains some red, blue and green beads. The ratio of the number of red beads to that of blue beads is 2 : 3. The ratio of the number of blue beads to that of green beads is 9 : 7. What is ratio of the number of red beads to that of green beads?

Ans: _____

23. Sam had \$96 more than Henry. After spending the same amount of money, Sam had thrice as much money as Henry. How much did Henry have left?

Do not write
in this space

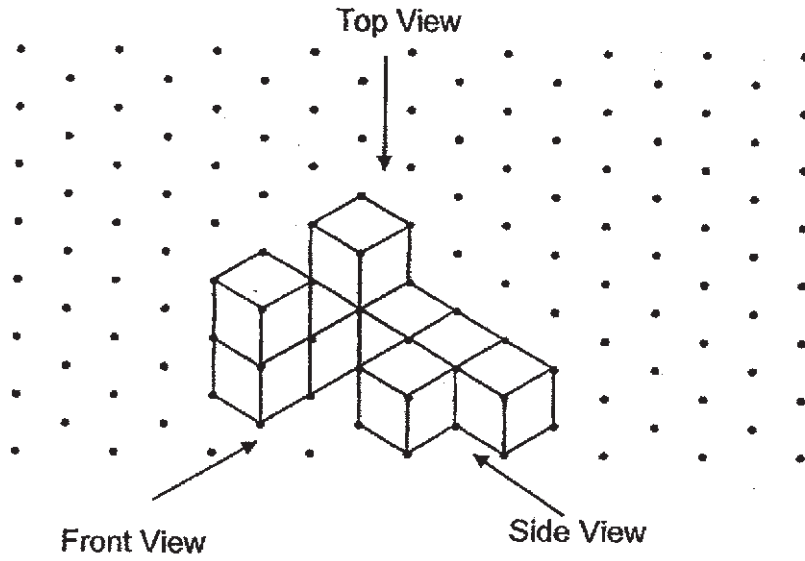
Ans: \$ _____

24. At a party, 5 children shared 7 pizzas equally among themselves. What fraction of a pizza did each child get?

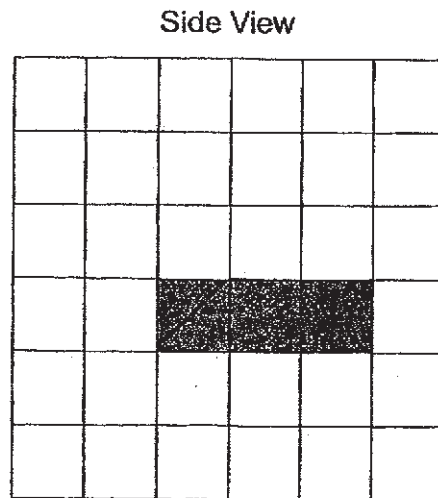
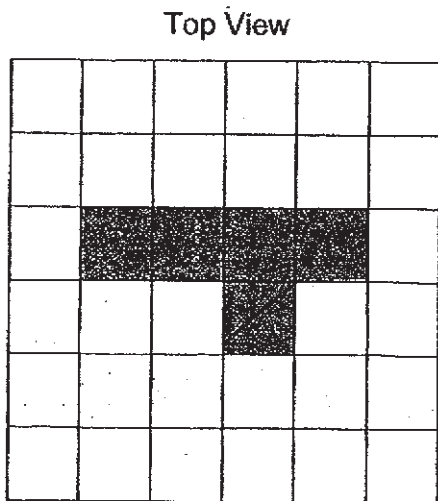
Ans: _____

25. The following solid is made up of 9 cubes.

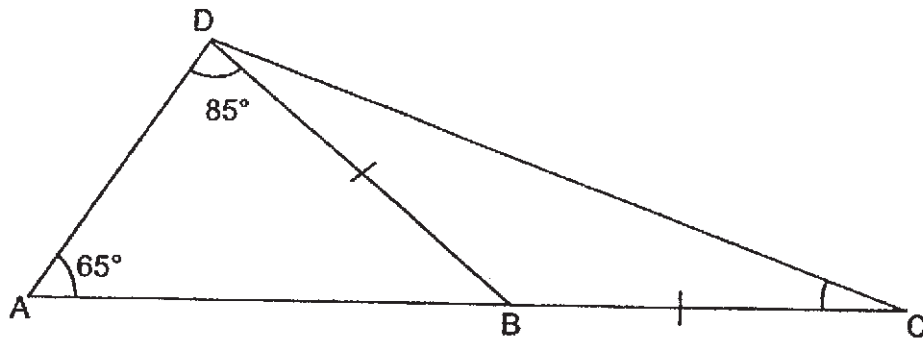
Do not write
in space



Part of the top view and side view of the solid have been drawn as shown below. Shade the correct number of squares to complete each view.



26. In the figure below, ADC is a triangle. BDC is an isosceles triangle. Find $\angle DCB$.



Do not write
in this space

Ans: _____ °

27. A mobile phone cost \$540. Nicholas bought it at a 25% discount. How much did he pay for the mobile phone?

Ans: \$ _____

28. The average mass of 3 bags is 45 kg. The mass of Bag A is 30 kg. Bag B is twice as heavy as Bag C. What is the mass of Bag C?

Do not write
in this space

Ans: _____ kg

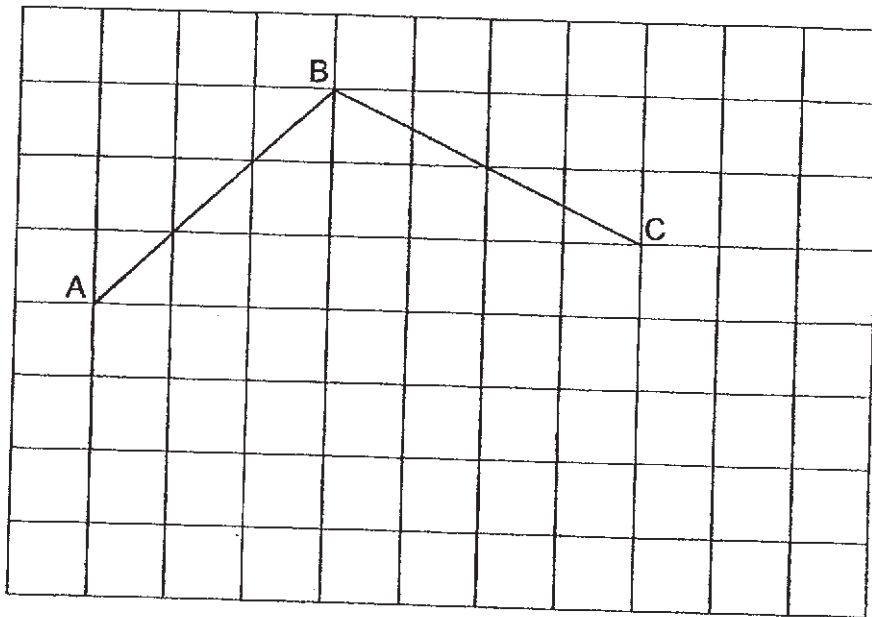
29. Rachel, Jolene and Eileen each brought an equal amount of money to a supermarket to buy groceries. Jolene spent \$25 more than Rachel and \$25 less than Eileen.

Statement (a) and (b) are either true, false or not possible to tell from the information given above. For statement (a) and (b), put a tick (✓) in the correct column.

| Statement | True | False | Not possible to tell |
|------------------------------------------------|------|-------|----------------------|
| (a) Jolene had more money left than Rachel. | | | |
| (b) Eileen had the least amount of money left. | | | |

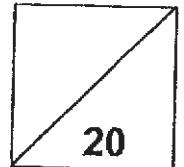
30. Complete the parallelogram ABCD with the given lines AB and BC.

Do not write
in this space



Total marks for questions 21 to 30

END OF BOOKLET B
END OF PAPER 1





CATHOLIC HIGH SCHOOL
END-OF-YEAR EXAMINATION (2019)
PRIMARY FIVE
MATHEMATICS
PAPER 2

Name : _____ ()

Class : Primary 5 _____

Date : 25 Oct 2019

Total Time: 1 h 30 min

17 questions

55 marks

Parent's Signature: _____

| | |
|----------------------|-----|
| Paper 1 Booklet A | 20 |
| Paper 1 Booklet B | 25 |
| Paper 2 | 55 |
| Total Marks | 100 |

INSTRUCTIONS TO CANDIDATES

Do not turn over this page until you are told to do so.

Follow all instructions carefully.

Answer all questions.

Write your answers in this booklet.

The use of an approved calculator is expected, where appropriate.

This booklet consists of 15 printed pages excluding the cover page.

Questions 1 to 5 carry 2 marks each. Show your working clearly in the space below each question and write your answers in the spaces provided. For questions which require units, give your answers in the units stated. All diagrams are not drawn to scale. (10 marks)

Do not write in this space

1. Danny spent a total of \$148 on 7 movie tickets and 5 boxes of nachos. Each ticket cost \$14. How much did each box of nachos cost?

Ans: \$ _____

2. A washing machine cost \$950 before GST. What was the price of the washing machine including 7% GST?

Ans: \$ _____

3. Box A, B and C each contains different number of beads. The total number of beads in the 3 boxes is 320. Box A has 128 more beads than box B. Box C has 140 fewer beads than Box A. How many beads are there in Box C?

Do not write
in this space

Ans: _____

4. Simon is thrice as old as Amina now. In 7 years' time, their total age will be 78 years old. What is Amina's age now?

Ans: _____ years old

5. Mr. Tan had \$12 000 in his bank account. The bank paid 3.5% interest at the end of each year. How much money did he have at the end of 1 year?

Do not write
in this space

Ans: \$ _____

For questions 6 to 17, show your working clearly in the space provided for each question and write your answers in the spaces provided. The number of marks available is shown in brackets [] at the end of each question or part-question.
(45 marks)

Do not write
in this space

6. Jim had 128 marbles at first. He gave $\frac{1}{8}$ of the marbles to his friends and $\frac{1}{4}$ of the marbles to his neighbour. How many marbles did he have left?

Ans: _____ [3]



7. Amelia wanted to buy 15 water bottles but she found that she was short of \$92. She bought 8 water bottles and had \$6 left. How much money did Amelia have?

Do not write
in this space

Ans: _____ [3]

8. The total cost of 5 pens and 2 files is \$21.80. The total cost of 3 such pens and 6 such files is \$31.80. Find the cost of a pen.

Do not write
in this space

Ans: _____ [3]

9. A total of 38 children were at a party. At the party, each boy ate 7 chicken wings while each girl ate 5 chicken wings. The children ate a total of 256 chicken wings. How many boys were at the party?

Do not write
in this space

Ans: _____ [3]

10. ABCD is a rectangular piece of paper with a perimeter of 178 cm. AB is 65 cm and point X is the mid-point of AD. It is folded along the dotted line as shown in Figure 1. What is the area of the shaded triangle?

Do not write
in this space

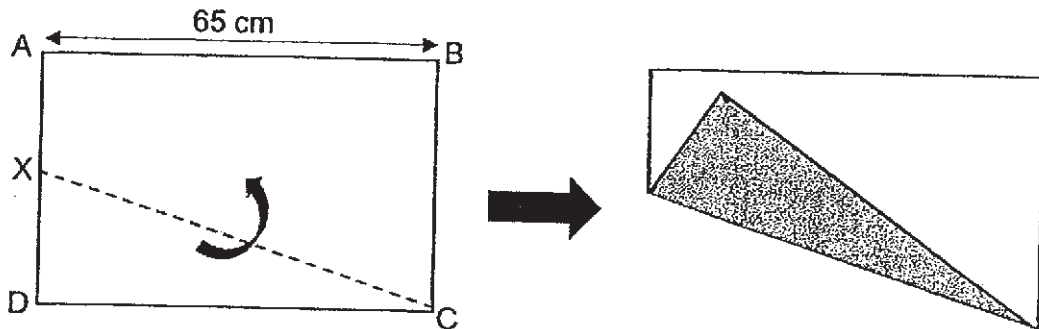


Figure 1

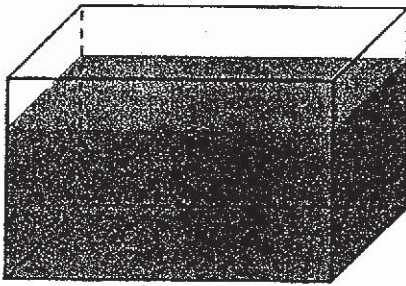
Ans: _____ [3]



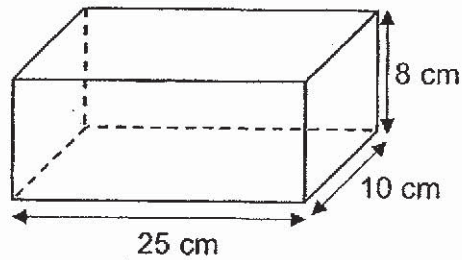
11. Tank B, measuring 25 cm by 10 cm by 8 cm, was empty at first. Tank A was $\frac{5}{6}$ filled with water. Some water in Tank A was poured into Tank B without any spillage and it filled up $\frac{3}{4}$ of Tank B. There was 2700 cm^3 of water left in Tank A.

Do not write
in this space

- (a) How much water was poured into Tank B?
(b) What was the capacity of Tank A? Leave your answer in litres.



Tank A



Tank B

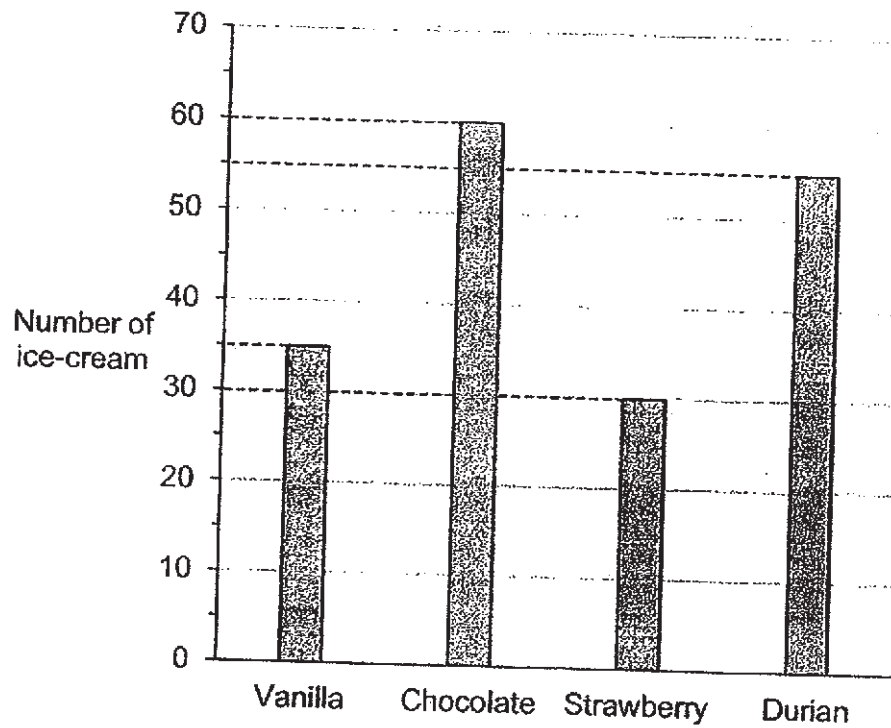
Ans: (a) _____ [2]

(b) _____ [2]



12. The graph below shows the number of ice-cream flavours sold at a shop in a day.

Do not write
in this space



- (a) What percentage of the ice-cream sold was durian ice-cream?
Give your answer correct to 1 decimal place.
- (b) The cost of each ice-cream was the same. The amount of money collected for vanilla ice-cream was \$15 more than the amount of money collected for strawberry ice-cream. What was the total amount of money collected from the sale of all the ice-cream?

Ans: (a) _____ [2]

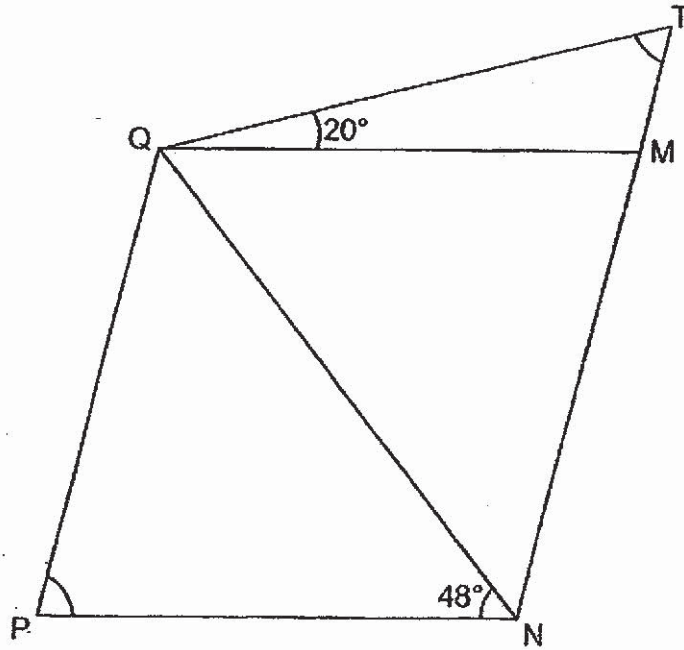
(b) _____ [2]



13. In the figure, QMNP is a rhombus and QMT is a triangle. NT is a straight line. $\angle QNP = 48^\circ$, $\angle MQT = 20^\circ$.

(a) Find $\angle QPN$.

(b) Find $\angle QTM$.



Do not write
in this space

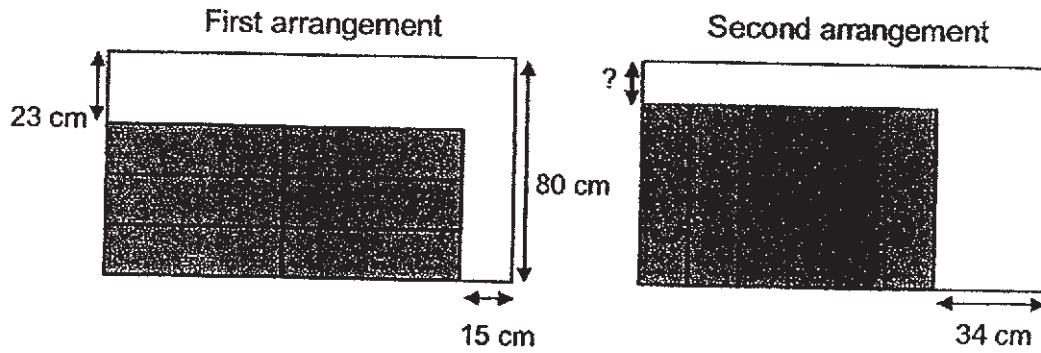
Ans: (a) _____ [2]

(b) _____ [2]



14. Six identical rectangular parcels are packed into a rectangular box with a width of 80 cm. The top view of two possible arrangements are shown below. The first arrangement shown leaves gaps of 23 cm and 15 cm. The second arrangement shown leaves a 34 cm gap. What is the length of the other gap in the second arrangement?

Do not write
in this space



Ans: _____ [5]



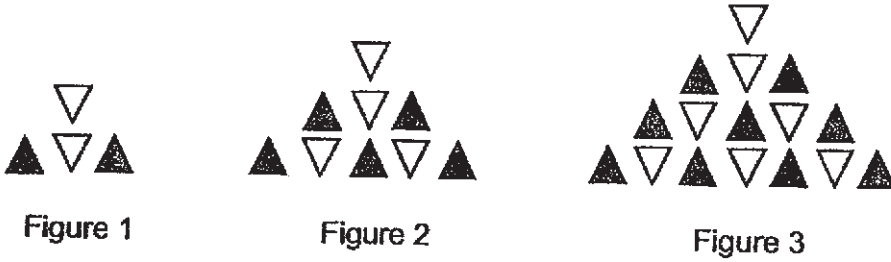
15. At a party, every girl was given 2 stickers and every boy was given 3 stickers. There were 5 times as many girls as boys. The children received a total of 390 stickers. How many more stickers were given to the girls than to the boys?

Do not write
in this space

Ans: _____ [4]

16. The following is made up of identical triangles.
Study the pattern carefully.

Do not write
in this space



| Figure Number | Number of shaded triangles | Number of unshaded triangles | Total number of triangles |
|---------------|----------------------------|------------------------------|---------------------------|
| 1 | 2 | 2 | 4 |
| 2 | 5 | 4 | 9 |
| 3 | 9 | 7 | 16 |
| 4 | | | 15 |

- (a) Complete the table for figure 4. [2]
- (b) A figure number in the pattern has a total of 144 triangles.
What is the figure number?

Ans: (b) _____ [2]



17. In the morning, Jaffar sold some muffins at 4 for \$11. In the afternoon, he received \$600 from the sale of $\frac{5}{6}$ of the remaining muffins at \$2 each. In the end, he had $\frac{1}{8}$ of the total number of muffins left. How much money did Jaffar receive from the sale of the muffins in the morning?

Do not write
in this space

Ans: _____ [5]



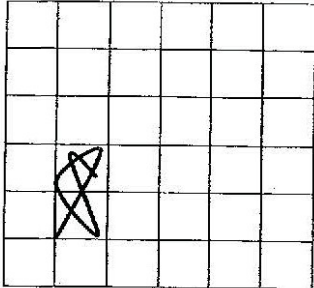
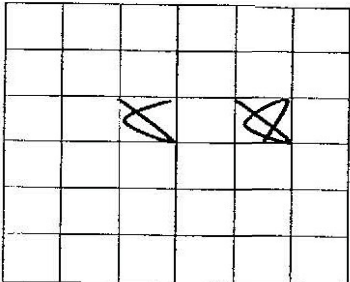
END OF PAPER 2

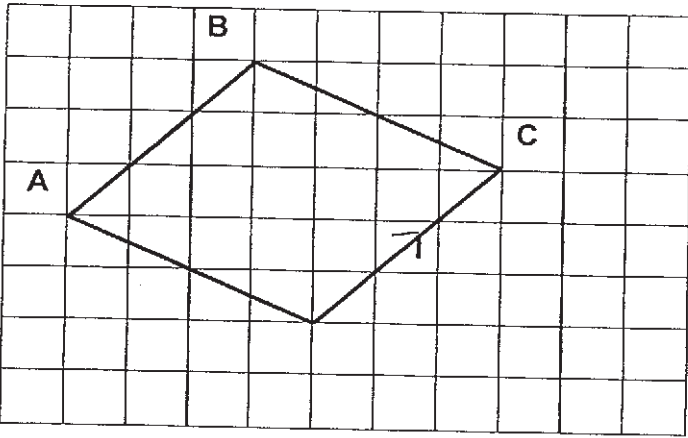
SCHOOL : CATHOLIC HIGH PRIMARY SCHOOL
 LEVEL : PRIMARY 5
 SUBJECT : MATH
 TERM : 2019 SA2

PAPER 1 BOOKLET A

| | | | | | | | | | |
|-----|----|----|----|----|----|----|----|----|-----|
| Q 1 | Q2 | Q3 | Q4 | Q5 | Q6 | Q7 | Q8 | Q9 | Q10 |
| 1 | 4 | 1 | 3 | 2 | 3 | 2 | 4 | 3 | 1 |

| | | | | |
|------|-----|-----|-----|-----|
| Q 11 | Q12 | Q13 | Q14 | Q15 |
| 2 | 1 | 2 | 4 | 1 |

| | |
|------|-------------------------------------------------------------------------------------------------------------------------------------------------------------------------------------------------------------------------------------------------------------------------------------------------------------------------------------------------------------------------------------|
| Q16) | 39 |
| Q17) | 10.06 |
| Q18) | $\frac{3}{20}$ |
| Q19) | 12 cm ³ |
| Q20) | $2\frac{2}{7}$ |
| Q21) | $\frac{4}{27}$ kg |
| Q22) | 6 : 7 |
| Q23) | 96 ÷ 2 = \$48 |
| Q24) | $7 \div 5 = \frac{5}{7}$ $= 1\frac{2}{5}$ |
| Q25) | <div style="display: flex; justify-content: space-around; align-items: center;"> <div style="text-align: center;">  <p>Top View</p> </div> <div style="text-align: center;">  <p>Side View</p> </div> </div> |

| | |
|------|--------------------------------------------------------------------------------------------|
| Q26) | $180 - 85 - 65 = 30$ $180 - 30 = 150$ $180 - 150 = 30$ $30 \div 2 = 15^\circ$ |
| Q27) | $100\% \rightarrow 540$ $5\% \rightarrow 27$ $75\% \rightarrow 27 \times 15 = \405 |
| Q28) | $45 \times 3 = 135$ $135 - 30 = 105$ $105 \div 3 = 35 \text{ kg}$ |
| Q29) | a)False b)True |
| Q30) |  |

PAPER 2

| | |
|-----|------------------------------------------------------------------------------------|
| Q1) | $14 \times 7 = 98$ $148 - 98 = 50$ $50 \div 5 = 10$ |
| Q2) | $100\% \rightarrow 950$ $1\% \rightarrow 9.50$ $107\% \rightarrow \$1016.50$ |
| Q3) | $320 - 128 - 12 - 12 = 168$ $168 \div 3 = 56$ |
| Q4) | $64 \div 4 = 16 \text{ years old}$ |

| | |
|------|------------------------------------------------------------------------------------------------------------------------------------------------------------------------------------------------------------------------|
| Q5) | $103.5\% \times 12000 = \$12420$ |
| Q6) | $128 \div 8 = 16$ $16 \times 5 = 80$ |
| Q7) | $15u - 8u = 7u$ $92 + 6 = 98$ $98 \div 7 = 14$ $14 \times 8 = 112$ $112 + 6 = \$118$ |
| Q8) | $\begin{array}{r} \text{X3} \left\{ \begin{array}{l} 5p + 2F = 21.80 \\ 15p + 6F = 65.40 \\ \hline 3p + 6F = 31.80 \\ \hline 12P = 33.60 \\ 1P = 33.60 \div 12 = \$2.80 \end{array} \right. \end{array}$ |
| Q9) | $5 \times 38 = 190$ $256 - 190 = 66$ $66 \div 2 = 33$ |
| Q10) | $178 - 65 - 65 = 48$ $48 \div 2 = 24$ $24 \div 2 = 12$ $\frac{1}{2} \times 65 \times 12 = 390 \text{ cm}^2$ |
| Q11) | a) $\frac{3}{4} \times 8 = 6$ $6 \times 10 \times 25 = 1500 \text{ cm}^3$ b) $2700 + 1500 = 4200$ $4200 \div 5 = 840$ $840 \times 6 = 5040$ $5040 \text{ cm}^3 = 5040 \text{ ml}$ $= 5.04 \text{ L}$ |
| Q12) | a) $\frac{55}{185} \times 100 = 30.6\%$ b) $35 - 30 = 5$ $15 \div 5 = 3$ $3 \times 180 = \$5.40$ |

| | |
|------|-------------------------------------------------------------------------------------------------------------------------------------------------------------------------|
| Q13) | $a) 48^\circ \times 2 = 96^\circ$ $360^\circ - 96^\circ - 96^\circ = 168^\circ$ $168^\circ \div 2 = 84^\circ$ $b) 180 - 84 = 96$ $180 - 96 - 20 = 64^\circ$ |
| Q14) | $80 - 23 = 57$ $57 \div 3 = 19$ $19 \times 6 = 114$ $114 + 34 = 148$ $148 - 15 = 133$ $133 \div 2 = 66.5$ $80 - 66.5 = 13.5 \text{ cm}$ |
| Q15) | $3 + (2 \times 5) = 13$ $390 \div 13 = 30$ $30 \times 5 = 150$ $150 + 30 = 180$ |
| Q16) | $a) 14 / 11$ $b) 12 - 1 = 11$ |
| Q17) | $120 \div 2 = 60$ $60 \times 8 = 480$ $480 - 360 = 120$ $120 \div 4 = 30$ $30 \times 11 = 330$ |

